

RCM FIELD DATA COLLECTION FORM FOR GAUGE USE ONLY



JOB NUMBER: _____

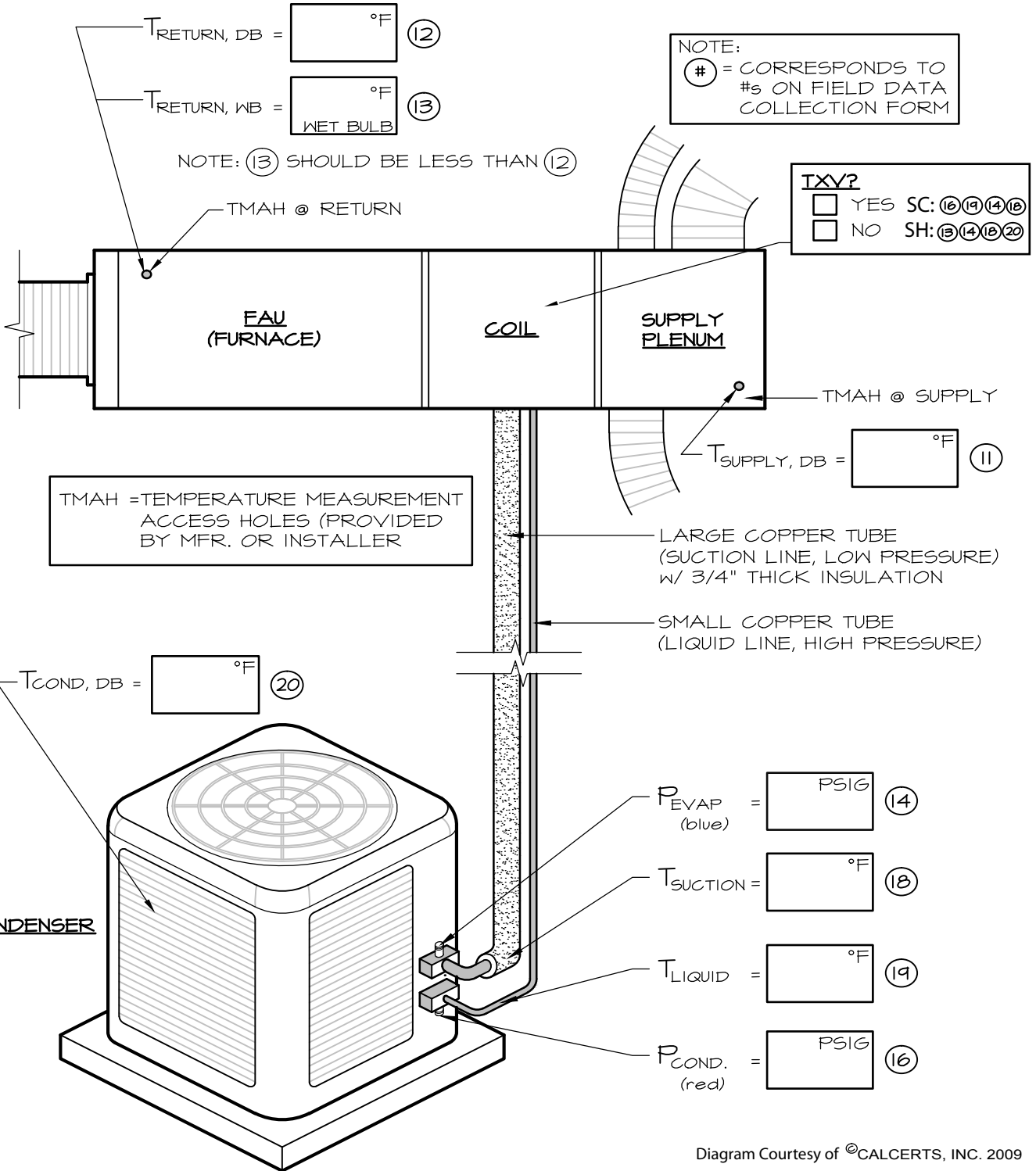


Diagram Courtesy of ©CALCERTS, INC. 2009

Refrigerant Type:

Target SC / SH: °F

Actual SC / SH: °F

Measured Airflow: CFM

TMAH @ Return Verified: Yes No

TMAH @ Supply Verified: Yes No

Minimum Airflow Met: Yes No

Unit Make: _____

Unit Model #: _____

Unit Serial #: _____

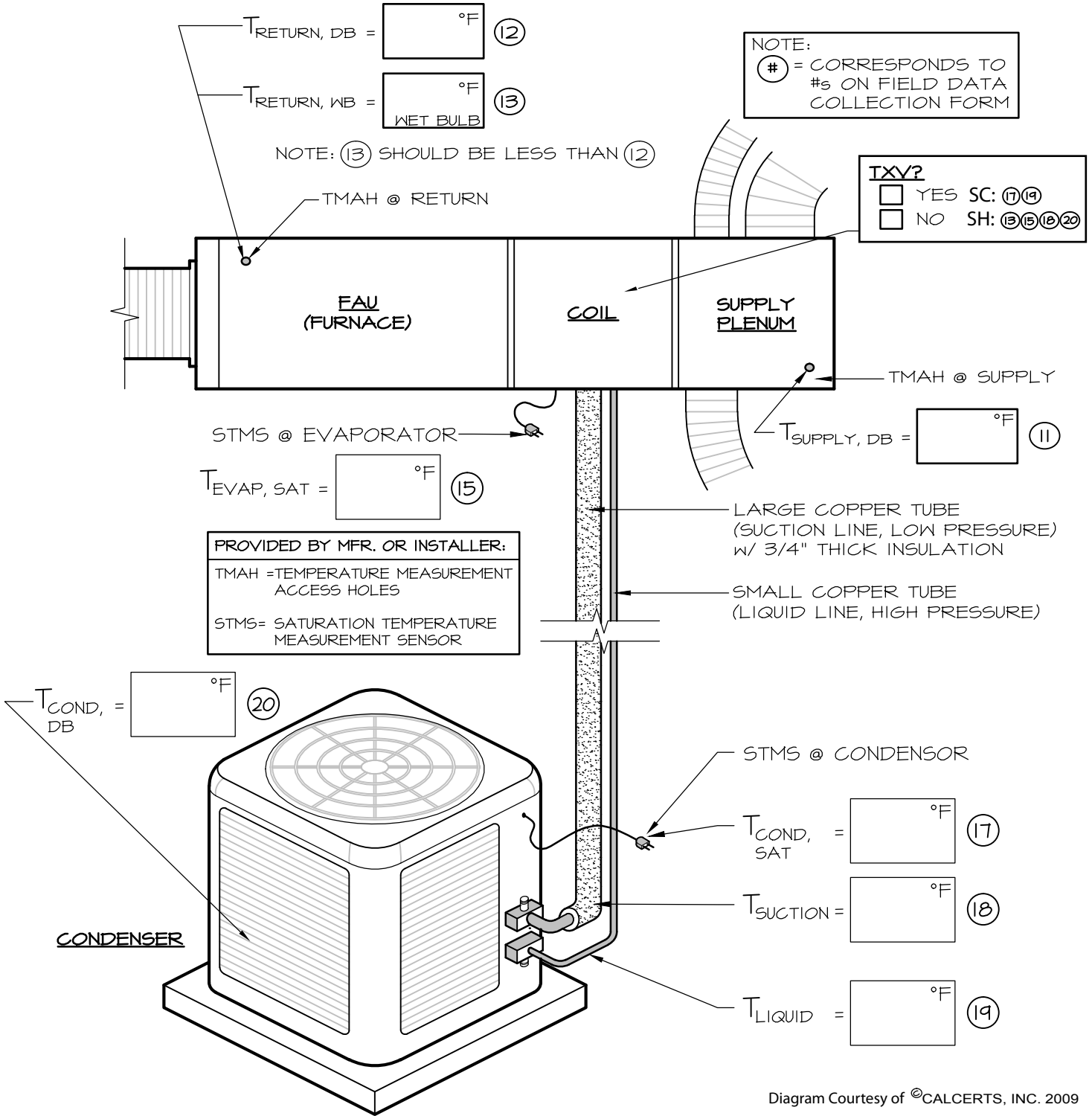
 Technician Signature

 Date

RCM FIELD DATA COLLECTION FORM FOR STMS USE ONLY



JOB NUMBER: _____



NOTE:
 (#) = CORRESPONDS TO #s ON FIELD DATA COLLECTION FORM

TXV?
 YES SC: (17)(19)
 NO SH: (13)(15)(18)(20)

Diagram Courtesy of ©CALCERTS, INC. 2009

Refrigerant Type:

Target SC / SH: °F

Actual SC / SH: °F

Measured Airflow: CFM

TMAH @ Return Verified: Yes No

TMAH @ Supply Verified: Yes No

Minimum Airflow Met: Yes No

Unit Make: _____

Unit Model #: _____

Unit Serial #: _____

 Technician Signature

 Date